



CATALOGO

PERNI A SALDARE

WWW.DUEEMMESIDOL.IT

INDEX

PRIGIONIERI **PT** / PT-THREADED STUDS

FERRO RAMATO 4.8 / ST 37 COPPER PLATED	5
ACCIAIO INOX A2-50 (1.4301/3) / STAINLESS STEEL	6
ALLUMINIO AIMG3 / ALLUMINIUM	7

PERNI LISCI **UT** / UT-NO THREADED STUDS

FERRO RAMATO 4.8 / ST 37 COPPER PLATED	8
ACCIAIO INOX A2-50 (1.4301/3) / STAINLESS STEEL	9
ALLUMINIO AIMG3 / ALLUMINIUM	10

BUSSOLE **IT** / IT-TAPPED STUDS

FERRO RAMATO 4.8 / ST 37 COPPER PLATED	11
ACCIAIO INOX A2-50 (1.4301/3) / STAINLESS STEEL	12
ALLUMINIO AIMG3 / ALLUMINIUM	13

INSUL PINS **ISO** / ISO-NAILS

FERRO RAMATO 4.8 - ACCIAIO INOX A2-50 / COPPER PLATED - STAINLESS STEEL	14
---	----

FASTON SEMPLICI **F1** / EARTH TAGS

FASTON DOPPI **F2** / TWIN EARTH TAGS

FERRO RAMATO 4.8 - ACCIAIO INOX A2-50 - OTTONE - ALLUMINIO COPPER PLATED - STAINLESS STEEL - BRASS - ALLUMINIUM	15
--	----

PRIGIONIERI PER ARCO CORTO **FD** / SHORT CYCLE STUDS

FERRO RAMATO 4.8 - ACCIAIO INOX A2-50 (1.4301/3) / ST 37 COPPER PLATED - STAINLESS STEEL	16
--	----

PRIGIONIERI **CHRISTMAS CD E SD** / CHRISTMAS TREE STUDS **CD AND SD**

FERRO RAMATO 4.8 / ST 37 COPPER PLATED	16
--	----

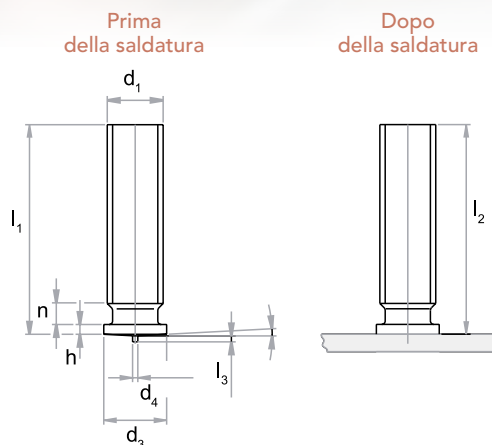
PRIGIONIERI **AUTOPULENTI** / COLOUR GRAVE STUDS

FERRO RAMATO 4.8 / ST 37 COPPER PLATED	16
--	----

DIMENSIONE STANDARD STANDARD DIMENSIONS

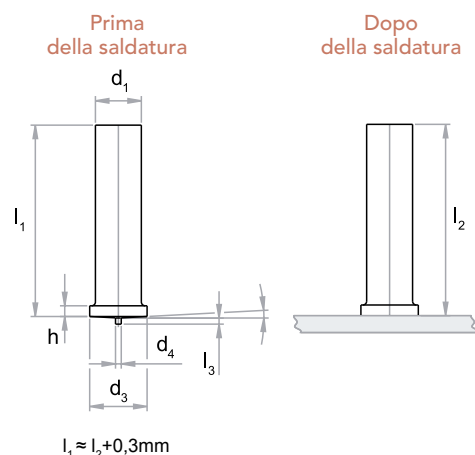
PRIGIONIERI PT / THREADED STUDS PT

d_1	l_1 +0.60	d_3 ±0.2	d_4 ±0.08	l_3 +0.05	h max.	n	l_2	α
M3	Vedi dimensioni See dimensions	4.5	0.6	0.55	0.7-1.4	1.5	$l_2 \approx l_1 - 0,3$	3
M4		5.5	0.65					
M5		6.5	0.80	0.8-1.4	2			
M6		7.5				0.75		
M8		9.0				0.85		



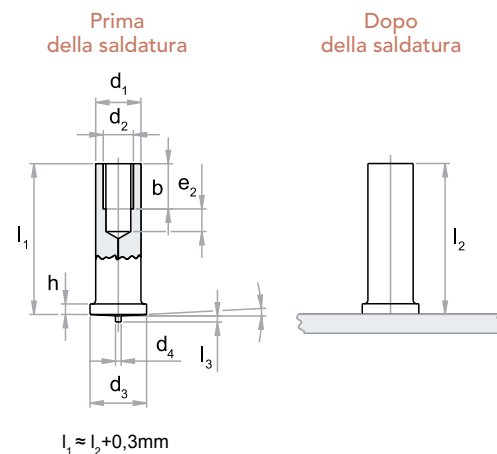
PERNI LISCI UT / PIN UT

d_1 ±0.1	l_1 +0.60	d_3 ±0.2	d_4 ±0.08	l_3 +0.05	h	l_2	α ±1
Ø 3	Vedi dimensioni See dimensions	4.5	0.6	0.55	0.7-1.4	$l_2 \approx l_1 - 0,3$	3
Ø 4		5.5	0.65				
Ø 5		6.5	0.80	0.8-1.4			
Ø 6		7.5			0.75		
Ø 7		9.0			0.85		
Ø 8							



BUSSOLE IT / TAPPED STUD IT

d_1	l_1 +0.60	d_3 ±0.2	d_4 ±0.08	l_3 +0.05	h	d_2	b	l_2	α ±1
Ø 5	Vedi dimensioni See dimensions	6.5	0.75	0.80	0.8-1.4	M3	5	$l_2 \approx l_1 - 0,3$	3
Ø 6		7.5				M4	6		
Ø 7.1		9.0	0.85	M5		7.5			
Ø 8				M6					

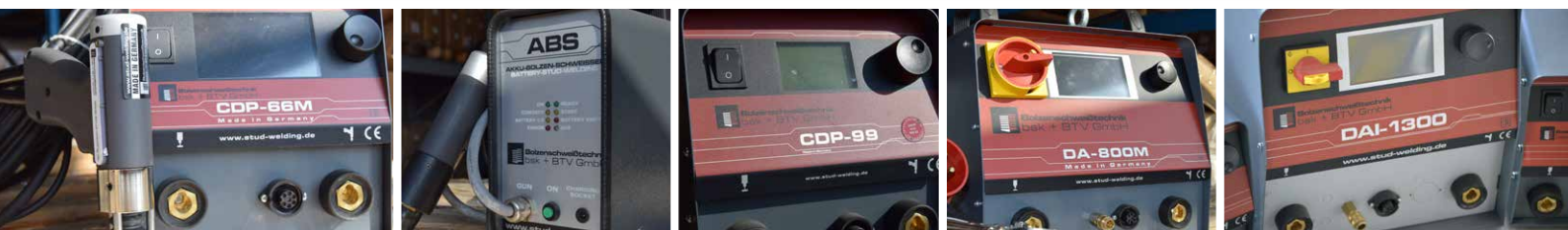


Attenzione: le caratteristiche dimensionali o le prestazioni possono essere modificate senza preavviso.

MACCHINE PER SALDATURA WELDING MACHINES

Le saldatrici CDP-66, CDP-99 e CDP-133 (gamma completa da 66 a 132.000 mF) con un moderno sistema a micro-processore riflettono i più recenti progressi della tecnica della saldatura dei prigionieri e offrono un alto grado di affidabilità combinato alla facilità di utilizzo.

The CDP-66, CDP-99 and CDP-133 welding machines (complete range from 66 to 132,000 mF) with a modern micro-processor system reflect the latest advances in stud welding technology and offer a high degree of reliability combined with the easy to use.



PT-THREADED STUDS

- > Misure e materiali speciali su richiesta
- > On special request modified dimensions and materials can be supplied



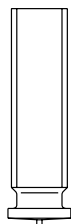
CODICE ORDER-NO.	Misura Dimensions	Peso kg/1000 pezzi Weight kg/1000 pcs
KWPSRM2.5-	M 2,5 x Lungh./ Lengh.	Solo su richiesta Only on demand
KWPSRM3-6	M 3 x 6	0,33
KWPSRM3-8	M 3 x 8	0,42
KWPSRM3-10	M 3 x 10	0,49
KWPSRM3-12	M 3 x 12	0,57
KWPSRM3-15	M 3 x 15	0,70
KWPSRM3-16	M 3 x 16	0,73
KWPSRM3-20	M 3 x 20	0,85
KWPSRM3-25	M 3 x 25	0,93
KWPSRM3-30	M 3 x 30	1,12
KWPSRM3-35	M 3 x 35	1,55
KWPSRM3-40	M 3 x 40	1,76
KWPSRM4-6	M 4 x 6	0,50
KWPSRM4-8	M 4 x 8	0,70
KWPSRM4-10	M 4 x 10	0,80
KWPSRM4-12	M 4 x 12	0,95
KWPSRM4-15	M 4 x 15	1,11
KWPSRM4-16	M 4 x 16	1,20
KWPSRM4-20	M 4 x 20	1,54
KWPSRM4-25	M 4 x 25	1,92
KWPSRM4-30	M 4 x 30	2,30
KWPSRM4-35	M 4 x 35	2,65
KWPSRM4-40	M 4 x 40	3,19
KWPSRM4-45	M 4 x 45	3,57
KWPSRM5-8	M 5 x 8	1,08
KWPSRM5-10	M 5 x 10	1,35
KWPSRM5-12	M 5 x 12	1,60
KWPSRM5-15	M 5 x 15	1,83
KWPSRM5-16	M 5 x 16	1,95
KWPSRM5-20	M 5 x 20	2,55
KWPSRM5-25	M 5 x 25	3,15
KWPSRM5-30	M 5 x 30	3,75
KWPSRM5-35	M 5 x 35	4,38
KWPSRM5-40	M 5 x 40	5,00
KWPSRM5-45	M 5 x 45	5,87
KWPSRM5-50	M 5 x 50	6,50

CODICE ORDER-NO.	Misura Dimensions	Peso kg/1000 pezzi Weight kg/1000 pcs
KWPSRM6-8	M 6 x 8	1,60
KWPSRM6-10	M 6 x 10	1,85
KWPSRM6-12	M 6 x 12	2,10
KWPSRM6-15	M 6 x 15	2,65
KWPSRM6-16	M 6 x 16	2,65
KWPSRM6-20	M 6 x 20	3,40
KWPSRM6-25	M 6 x 25	4,15
KWPSRM6-30	M 6 x 30	4,90
KWPSRM6-35	M 6 x 35	5,56
KWPSRM6-40	M 6 x 40	6,40
KWPSRM6-45	M 6 x 45	7,20
KWPSRM6-50	M 6 x 50	9,36
KWPSRM6-55	M 6 x 55	10,26
KWPSRM8-10	M 8 x 10	3,31
KWPSRM8-12	M 8 x 12	4,30
KWPSRM8-15	M 8 x 15	4,90
KWPSRM8-16	M 8 x 16	5,82
KWPSRM8-20	M 8 x 20	6,50
KWPSRM8-25	M 8 x 25	8,13
KWPSRM8-30	M 8 x 30	9,80
KWPSRM8-35	M 8 x 35	11,40
KWPSRM8-40	M 8 x 40	13,05
KWPSRM8-45	M 8 x 45	14,70
KWPSRM8-50	M 8 x 50	16,35
KWPSRM8-55	M 8 x 55	22,90
KWPSRM8-60	M 8 x 60	24,90
KWPSRM10-	M 10 x Lungh./ Lengh.	Solo su richiesta Only on demand

Prigionieri in Ottone CuZn37 su richiesta
Studs in Brass (Ms63) on demand

PT-THREADED STUDS

- > Misure e materiali speciali su richiesta
- > On special request modified dimensions and materials can be supplied



CODICE ORDER-NO.	Misura Dimensions	Peso kg/1000 pezzi Weight kg/1000 pcs
KWPSSM2.5-	M 2,5 x Lungh./ Lengh.	Solo su richiesta Only on demand
KWPSSM3-6	M 3 x 6	0,31
KWPSSM3-8	M 3 x 8	0,38
KWPSSM3-10	M 3 x 10	0,48
KWPSSM3-12	M 3 x 12	0,55
KWPSSM3-15	M 3 x 15	0,67
KWPSSM3-16	M 3 x 16	0,67
KWPSSM3-20	M 3 x 20	0,69
KWPSSM3-25	M 3 x 25	1,05
KWPSSM3-30	M 3 x 30	1,30
KWPSSM3-35	M 3 x 35	1,55
KWPSSM3-40	M 3 x 40	1,76
KWPSSM4-6	M 4 x 6	0,49
KWPSSM4-8	M 4 x 8	0,65
KWPSSM4-10	M 4 x 10	0,80
KWPSSM4-12	M 4 x 12	0,95
KWPSSM4-15	M 4 x 15	1,15
KWPSSM4-16	M 4 x 16	1,20
KWPSSM4-20	M 4 x 20	1,57
KWPSSM4-25	M 4 x 25	1,85
KWPSSM4-30	M 4 x 30	2,20
KWPSSM4-35	M 4 x 35	2,50
KWPSSM4-40	M 4 x 40	3,19
KWPSSM4-45	M 4 x 45	3,57
KWPSSM5-8	M 5 x 8	0,90
KWPSSM5-10	M 5 x 10	1,28
KWPSSM5-12	M 5 x 12	1,42
KWPSSM5-15	M 5 x 15	1,80
KWPSSM5-16	M 5 x 16	1,90
KWPSSM5-20	M 5 x 20	2,41
KWPSSM5-25	M 5 x 25	3,04
KWPSSM5-30	M 5 x 30	3,63
KWPSSM5-35	M 5 x 35	4,25
KWPSSM5-40	M 5 x 40	4,85
KWPSSM5-45	M 5 x 45	5,87
KWPSSM5-50	M 5 x 50	6,50

CODICE ORDER-NO.	Misura Dimensions	Peso kg/1000 pezzi Weight kg/1000 pcs
KWPSSM6-8	M 6 x 8	1,50
KWPSSM6-10	M 6 x 10	1,87
KWPSSM6-12	M 6 x 12	2,25
KWPSSM6-15	M 6 x 15	2,65
KWPSSM6-16	M 6 x 16	2,70
KWPSSM6-20	M 6 x 20	3,55
KWPSSM6-25	M 6 x 25	4,40
KWPSSM6-30	M 6 x 30	5,25
KWPSSM6-35	M 6 x 35	6,05
KWPSSM6-40	M 6 x 40	6,96
KWPSSM6-45	M 6 x 45	7,80
KWPSSM6-50	M 6 x 50	9,36
KWPSSM6-55	M 6 x 55	10,26
KWPSSM8-10	M 8 x 10	3,33
KWPSSM8-12	M 8 x 12	3,96
KWPSSM8-15	M 8 x 15	4,90
KWPSSM8-16	M 8 x 16	5,82
KWPSSM8-20	M 8 x 20	6,50
KWPSSM8-25	M 8 x 25	8,00
KWPSSM8-30	M 8 x 30	9,60
KWPSSM8-35	M 8 x 35	11,20
KWPSSM8-40	M 8 x 40	12,70
KWPSSM8-45	M 8 x 45	14,20
KWPSSM8-50	M 8 x 50	15,80
KWPSSM8-55	M 8 x 55	22,90
KWPSSM8-60	M 8 x 60	24,90
KWPSSM10-	M 10 x Lungh./ Lengh.	Solo su richiesta Only on demand

PT-THREADED STUDS

- > Misure e materiali speciali su richiesta
- > *On special request modified dimensions and materials can be supplied*



CODICE ORDER-NO.	Misura Dimensions	Peso kg/1000 pezzi Weight kg/1000 pcs
DKPSAM3-6	M 3 x 6	0,10
DKPSAM3-8	M 3 x 8	0,13
DKPSAM3-10	M 3 x 10	0,14
DKPSAM3-12	M 3 x 12	0,15
DKPSAM3-15	M 3 x 15	0,21
DKPSAM3-16	M 3 x 16	0,23
DKPSAM3-20	M 3 x 20	0,29
DKPSAM3-25	M 3 x 25	0,39
DKPSAM3-30	M 3 x 30	0,49
DKPSAM4-6	M 4 x 6	0,15
DKPSAM4-8	M 4 x 8	0,18
DKPSAM4-10	M 4 x 10	0,27
DKPSAM4-12	M 4 x 12	0,32
DKPSAM4-15	M 4 x 15	0,39
DKPSAM4-16	M 4 x 16	0,39
DKPSAM4-20	M 4 x 20	0,50
DKPSAM4-25	M 4 x 25	0,65
DKPSAM4-30	M 4 x 30	0,76
DKPSAM4-35	M 4 x 35	0,92
DKPSAM5-8	M 5 x 8	0,34
DKPSAM5-10	M 5 x 10	0,40
DKPSAM5-12	M 5 x 12	0,50
DKPSAM5-15	M 5 x 15	0,62
DKPSAM5-16	M 5 x 16	0,64
DKPSAM5-20	M 5 x 20	0,88
DKPSAM5-25	M 5 x 25	1,00
DKPSAM5-30	M 5 x 30	1,25
DKPSAM5-35	M 5 x 35	1,42
DKPSAM5-40	M 5 x 40	1,65

CODICE ORDER-NO.	Misura Dimensions	Peso kg/1000 pezzi Weight kg/1000 pcs
DKPSAM6-8	M 6 x 8	0,46
DKPSAM6-10	M 6 x 10	0,55
DKPSAM6-12	M 6 x 12	0,70
DKPSAM6-15	M 6 x 15	0,85
DKPSAM6-16	M 6 x 16	0,90
DKPSAM6-20	M 6 x 20	1,19
DKPSAM6-25	M 6 x 25	1,41
DKPSAM6-30	M 6 x 30	2,34
DKPSAM6-35	M 6 x 35	2,60
DKPSAM6-40	M 6 x 40	6,96
DKPSAM8-10	M 8 x 10	1,13
DKPSAM8-12	M 8 x 12	1,35
DKPSAM8-15	M 8 x 15	1,60
DKPSAM8-16	M 8 x 16	1,75
DKPSAM8-20	M 8 x 20	2,15
DKPSAM8-25	M 8 x 25	2,65
DKPSAM8-30	M 8 x 30	3,24
DKPSAM10-	M 10 x Lungh./ Lengh.	Solo su richiesta Only on demand

PERNI LISCI UT

FERRO RAMATO 4.8 / ST 37 COPPER PLATED



UT-NO THREADED STUDS

DIN EN ISO 13918 (DIN 32501)

- > Misure e materiali speciali su richiesta
- > On special request modified dimensions and materials can be supplied



CODICE ORDER-NO.	Misura Dimensions	Peso kg/1000 pezzi Weight kg/1000 pcs
	S 2,1 x Lungh./ Lengh.	Solo su richiesta Only on demand
	S 2,6 x Lungh./ Lengh.	
DKPSLRD3-6	S 3 x 6	0,33
DKPSLRD3-8	S 3 x 8	0,42
DKPSLRD3-10	S 3 x 10	0,49
DKPSLRD3-12	S 3 x 12	0,54
DKPSLRD3-15	S 3 x 15	0,64
DKPSLRD3-20	S 3 x 20	0,82
DKPSLRD3-25	S 3 x 25	0,98
DKPSLRD4-6	S 4 x 6	0,60
DKPSLRD4-8	S 4 x 8	0,67
DKPSLRD4-10	S 4 x 10	0,80
DKPSLRD4-12	S 4 x 12	0,95
DKPSLRD4-15	S 4 x 15	1,18
DKPSLRD4-16	S 4 x 16	1,18
DKPSLRD4-20	S 4 x 20	1,54
DKPSLRD4-25	S 4 x 25	1,92
DKPSLRD4-30	S 4 x 30	2,30
DKPSLRD4-35	S 4 x 35	2,65
DKPSLRD5-8	S 5 x 8	1,15
DKPSLRD5-10	S 5 x 10	1,35
DKPSLRD5-12	S 5 x 12	1,60
DKPSLRD5-15	S 5 x 15	1,95
DKPSLRD5-20	S 5 x 20	2,55
DKPSLRD5-25	S 5 x 25	3,15
DKPSLRD5-30	S 5 x 30	3,75
DKPSLRD5-35	S 5 x 35	4,35
DKPSLRD5-40	S 5 x 40	4,92

CODICE ORDER-NO.	Misura Dimensions	Peso kg/1000 pezzi Weight kg/1000 pcs
DKPSLRD6-8	S 6 x 8	1,65
DKPSLRD6-10	S 6 x 10	1,85
DKPSLRD6-12	S 6 x 12	2,10
DKPSLRD6-15	S 6 x 15	2,68
DKPSLRD6-20	S 6 x 20	3,40
DKPSLRD6-25	S 6 x 25	4,15
DKPSLRD6-30	S 6 x 30	4,90
DKPSLRD6-35	S 6 x 35	5,65
DKPSLRD6-40	S 6 x 40	6,40
DKPSLRD6-45	S 6 x 35	7,20
DKPSLRD7,1-10	S 7,1 x 10	3,31
DKPSLRD7,1-12	S 7,1 x 12	4,00
DKPSLRD7,1-15	S 7,1 x 15	4,90
DKPSLRD7,1-20	S 7,1 x 20	6,50
DKPSLRD7,1-25	S 7,1 x 25	8,13
DKPSLRD7,1-30	S 7,1 x 30	9,80
	S 8 x Lungh./Lengh.	Solo su richiesta Only on demand

Prigionieri in Ottone CuZn37 su richiesta
Studs in Brass (Ms63) on demand

PERNI LISCI UT

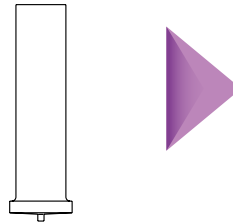
ACCIAIO INOX A2-50 (1.4301/3) / STAINLESS STEEL



UT-NO THREADED STUDS

DIN EN ISO 13918 (DIN 32501)

- > Misure e materiali speciali su richiesta
- > On special request modified dimensions and materials can be supplied



CODICE ORDER-NO.	Misura Dimensions	Peso kg/1000 pezzi Weight kg/1000 pcs
	S 2,1 x Lungh./ Lengh.	Solo su richiesta Only on demand
	S 2,6 x Lungh./ Lengh.	
DKPSLSD3-6	S 3 x 6	0,31
DKPSLSD3-8	S 3 x 8	0,38
DKPSLSD3-10	S 3 x 10	0,48
DKPSLSD3-12	S 3 x 12	0,55
DKPSLSD3-15	S 3 x 15	0,67
DKPSLSD3-16	S 3 x 16	0,67
DKPSLSD3-20	S 3 x 20	0,89
DKPSLSD3-25	S 3 x 25	1,05
DKPSLSD4-6	S 4 x 6	0,50
DKPSLSD4-8	S 4 x 8	0,65
DKPSLSD4-10	S 4 x 10	0,80
DKPSLSD4-12	S 4 x 12	0,95
DKPSLSD4-15	S 4 x 15	1,15
DKPSLSD4-16	S 4 x 16	1,20
DKPSLSD4-20	S 4 x 20	1,57
DKPSLSD4-25	S 4 x 25	1,85
DKPSLSD4-30	S 4 x 30	2,20
DKPSLSD4-35	S 4 x 35	2,50
DKPSLSD5-8	S 5 x 8	0,90
DKPSLSD5-10	S 5 x 10	1,28
DKPSLSD5-12	S 5 x 12	1,42
DKPSLSD5-15	S 5 x 15	1,80
DKPSLSD5-16	S 5 x 16	1,80
DKPSLSD5-20	S 5 x 20	2,41
DKPSLSD5-25	S 5 x 25	3,04
DKPSLSD5-30	S 5 x 30	3,63
DKPSLSD5-35	S 5 x 35	4,25
DKPSLSD5-40	S 5 x 40	4,85

CODICE ORDER-NO.	Misura Dimensions	Peso kg/1000 pezzi Weight kg/1000 pcs
DKPSLSD6-8	S 6 x 8	1,40
DKPSLSD6-10	S 6 x 10	1,86
DKPSLSD6-12	S 6 x 12	2,25
DKPSLSD6-15	S 6 x 15	2,65
DKPSLSD6-16	S 6 x 16	2,66
DKPSLSD6-20	S 6 x 20	3,55
DKPSLSD6-25	S 6 x 25	4,40
DKPSLSD6-30	S 6 x 30	5,25
DKPSLSD6-35	S 6 x 35	6,05
DKPSLSD6-40	S 6 x 40	6,96
DKPSLSD6-45	S 6 x 35	7,80
DKPSLSD7,1-10	S 7,1 x 10	3,33
DKPSLSD7,1-12	S 7,1 x 12	3,90
DKPSLSD7,1-15	S 7,1 x 15	4,90
DKPSLSD7,1-16	S 7,1 x 16	5,80
DKPSLSD7,1-20	S 7,1 x 20	6,50
DKPSLSD7,1-25	S 7,1 x 25	8,00
DKPSLSD7,1-30	S 7,1 x 30	9,60
DKPSLSD7,1-35	S 7,1 x 35	11,20
DKPSLSD7,1-40	S 7,1 x 40	12,70
DKPSLSD7,1-45	S 7,1 x 45	14,20
DKPSLSD7,1-50	S 7,1 x 50	15,80
	S 8 x Lungh./Lengh.	Solo su richiesta Only on demand

PERNI LISCI UT

ALLUMINIO AIMG3 / ALLUMINIUM



UT-NO THREADED STUDS

DIN EN ISO 13918 (DIN 32581)

- > Misure e materiali speciali su richiesta
- > On special request modified dimensions and materials can be supplied

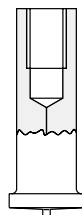


CODICE ORDER-NO.	Misura Dimensions	Peso kg/1000 pezzi Weight kg/1000 pcs
	S 2,1 x Lungh./ Lengh.	Solo su richiesta Only on demand
	S 2,6 x Lungh./ Lengh.	
DKPSLAD3-6	S 3 x 6	0,14
DKPSLAD3-8	S 3 x 8	0,18
DKPSLAD3-10	S 3 x 10	0,22
DKPSLAD3-12	S 3 x 12	0,25
DKPSLAD3-15	S 3 x 15	0,31
DKPSLAD3-20	S 3 x 20	0,40
DKPSLAD3-25	S 3 x 25	0,50
DKPSLAD4-6	S 4 x 6	0,26
DKPSLAD4-8	S 4 x 8	0,32
DKPSLAD4-10	S 4 x 10	0,39
DKPSLAD4-12	S 4 x 12	0,45
DKPSLAD4-15	S 4 x 15	0,55
DKPSLAD4-20	S 4 x 20	0,72
DKPSLAD4-25	S 4 x 25	0,89
DKPSLAD4-30	S 4 x 30	1,05
DKPSLAD4-35	S 4 x 35	1,22
DKPSLAD5-8	S 5 x 8	0,34
DKPSLAD5-10	S 5 x 10	0,40
DKPSLAD5-12	S 5 x 12	0,50
DKPSLAD5-15	S 5 x 15	0,62
DKPSLAD5-20	S 5 x 20	0,88
DKPSLAD5-25	S 5 x 25	1,00
DKPSLAD5-30	S 5 x 30	1,24
DKPSLAD5-35	S 5 x 35	1,42
DKPSLAD5-40	S 5 x 40	1,65

CODICE ORDER-NO.	Misura Dimensions	Peso kg/1000 pezzi Weight kg/1000 pcs
DKPSLAD6-8	S 6 x 8	0,40
DKPSLAD6-10	S 6 x 10	0,55
DKPSLAD6-12	S 6 x 12	0,70
DKPSLAD6-15	S 6 x 15	0,85
DKPSLAD6-20	S 6 x 20	1,19
DKPSLAD6-25	S 6 x 25	1,41
DKPSLAD6-30	S 6 x 30	1,70
DKPSLAD6-35	S 6 x 35	1,98
DKPSLAD6-40	S 6 x 40	2,34
DKPSLAD6-45	S 6 x 35	2,60
DKPSLAD7,1-10	S 7,1 x 10	1,30
DKPSLAD7,1-12	S 7,1 x 12	1,42
DKPSLAD7,1-15	S 7,1 x 15	1,60
DKPSLAD7,1-20	S 7,1 x 20	2,15
DKPSLAD7,1-25	S 7,1 x 25	2,65
DKPSLAD7,1-30	S 7,1 x 30	3,24
	S 8 x Lungh./Lengh.	Solo su richiesta Only on demand

IT-TAPPED STUDS

- > Misure e materiali speciali su richiesta
- > On special request modified dimensions and materials can be supplied

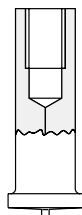


CODICE ORDER-NO.	Misura Dimensions	Peso kg/1000 pezzi Weight kg/1000 pcs
KWBSRM3-6	IT 5 M 3 x 6	0,70
KWBSRM3-8	IT 5 M 3 x 8	0,89
KWBSRM3-10	IT 5 M 3 x 10	1,13
KWBSRM3-12	IT 5 M 3 x 12	1,37
KWBSRM3-15	IT 5 M 3 x 15	1,72
KWBSRM3-16	IT 5 M 3 x 16	1,72
KWBSRM3-20	IT 5 M 3 x 20	2,32
KWBSRM3-25	IT 5 M 3 x 25	2,91
KWBSRM3-30	IT 5 M 3 x 30	3,50
KWBSRM4-6	IT 6 M 4 x 6	2,03
KWBSRM4-8	IT 6 M 4 x 8	2,07
KWBSRM4-10	IT 6 M 4 x 10	2,51
KWBSRM4-12	IT 6 M 4 x 12	3,18
KWBSRM4-15	IT 6 M 4 x 15	3,30
KWBSRM4-20	IT 6 M 4 x 20	4,28
KWBSRM4-25	IT 6 M 4 x 25	5,39
KWBSRM4-30	IT 6 M 4 x 30	6,40
KWBSRM5-8	IT 7,1 M 5 x 8	3,30
KWBSRM5-10	IT 7,1 M 5 x 10	3,30
KWBSRM5-12	IT 7,1 M 5 x 12	3,90
KWBSRM5-15	IT 7,1 M 5 x 15	5,20
KWBSRM5-16	IT 7,1 M 5 x 16	5,20
KWBSRM5-18	IT 7,1 M 5 x 18	6,00
KWBSRM5-20	IT 7,1 M 5 x 20	6,50
KWBSRM5-25	IT 7,1 M 5 x 25	8,10
KWBSRM5-30	IT 7,1 M 5 x 30	9,80
KWBSRM6-10	IT 8 M 6 x 10	3,63
KWBSRM6-12	IT 8 M 6 x 12	4,29
KWBSRM6-15	IT 8 M 6 x 15	5,72
KWBSRM6-20	IT 8 M 6 x 20	7,15
KWBSRM6-25	IT 8 M 6 x 25	8,91
KWBSRM6-30	IT 8 M 6 x 30	10,78

Bussole in Ottone CuZn37 su richiesta
Tapped Studs in Brass (Ms63) on demand

IT-TAPPED STUDS

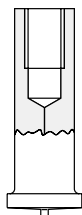
- > Misure e materiali speciali su richiesta
- > *On special request modified dimensions and materials can be supplied*



CODICE ORDER-NO.	Misura Dimensions	Peso kg/1000 pezzi Weight kg/1000 pcs
KWBSSM3-6	IT 5 M 3 x 6	0,89
KWBSSM3-8	IT 5 M 3 x 8	0,89
KWBSSM3-10	IT 5 M 3 x 10	1,13
KWBSSM3-12	IT 5 M 3 x 12	1,37
KWBSSM3-15	IT 5 M 3 x 15	1,72
KWBSSM3-16	IT 5 M 3 x 16	1,72
KWBSSM3-20	IT 5 M 3 x 20	2,32
KWBSSM3-25	IT 5 M 3 x 25	2,91
KWBSSM3-30	IT 5 M 3 x 30	3,50
KWBSSM4-6	IT 6 M 4 x 6	2,03
KWBSSM4-8	IT 6 M 4 x 8	2,07
KWBSSM4-10	IT 6 M 4 x 10	2,51
KWBSSM4-12	IT 6 M 4 x 12	3,18
KWBSSM4-15	IT 6 M 4 x 15	3,30
KWBSSM4-20	IT 6 M 4 x 20	4,28
KWBSSM4-25	IT 6 M 4 x 25	5,39
KWBSSM4-30	IT 6 M 4 x 30	6,40
KWBSSM5-10	IT 7,1 M 5 x 10	3,30
KWBSSM5-12	IT 7,1 M 5 x 12	3,90
KWBSSM5-15	IT 7,1 M 5 x 15	5,20
KWBSSM5-16	IT 7,1 M 5 x 16	5,20
KWBSSM5-20	IT 7,1 M 5 x 20	6,50
KWBSSM5-25	IT 7,1 M 5 x 25	8,10
KWBSSM5-30	IT 7,1 M 5 x 30	9,80
KWBSSM6-10	IT 8 M 6 x 10	3,63
KWBSSM6-12	IT 8 M 6 x 12	4,29
KWBSSM6-15	IT 8 M 6 x 15	5,72
KWBSSM6-20	IT 8 M 6 x 20	7,15
KWBSSM6-25	IT 8 M 6 x 25	8,91
KWBSSM6-30	IT 8 M 6 x 30	10,78

IT-TAPPED STUDS

- > Misure e materiali speciali su richiesta
- > *On special request modified dimensions and materials can be supplied*



CODICE ORDER-NO.	Misura Dimensions	Peso kg/1000 pezzi Weight kg/1000 pcs
KWBSAM3-6	IT 5 M 3 x 6	0,49
KWBSAM3-8	IT 5 M 3 x 8	0,59
KWBSAM3-10	IT 5 M 3 x 10	0,70
KWBSAM3-12	IT 5 M 3 x 12	0,80
KWBSAM3-15	IT 5 M 3 x 15	1,00
KWBSAM3-16	IT 5 M 3 x 16	1,01
KWBSAM3-20	IT 5 M 3 x 20	1,23
KWBSAM3-25	IT 5 M 3 x 25	1,49
KWBSAM3-30	IT 5 M 3 x 30	1,76
KWBSAM4-8	IT 6 M 4 x 8	0,30
KWBSAM4-10	IT 6 M 4 x 10	0,60
KWBSAM4-12	IT 6 M 4 x 12	0,90
KWBSAM4-15	IT 6 M 4 x 15	1,46
KWBSAM4-20	IT 6 M 4 x 20	1,77
KWBSAM4-25	IT 6 M 4 x 25	2,16
KWBSAM4-30	IT 6 M 4 x 30	2,55
KWBSAM5-10	IT 7,1 M 5 x 10	1,42
KWBSAM5-12	IT 7,1 M 5 x 12	1,64
KWBSAM5-15	IT 7,1 M 5 x 15	2,07
KWBSAM5-20	IT 7,1 M 5 x 20	2,51
KWBSAM5-25	IT 7,1 M 5 x 25	3,08
KWBSAM5-30	IT 7,1 M 5 x 30	3,63
	IT 8 M 6 x Lungh./ Lengh.	Solo su richiesta Only on demand

INSUL PINS ISO

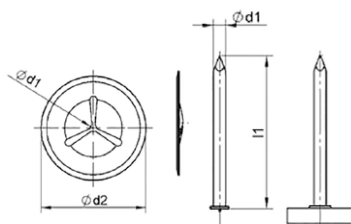
FERRO RAMATO 4.8 - ACCIAIO INOX A2-58 / ST 37 COPPER PLATED - STAINLESS STEEL



DIN EN ISO 13918 (DIN 32581)

ISO-NAILS

- > Misure e materiali speciali su richiesta
- > On special request modified dimensions and materials can be supplied



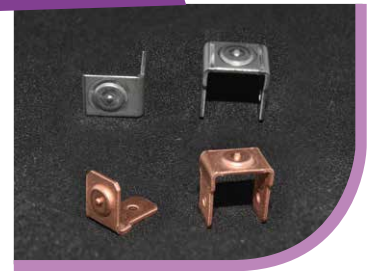
CODICE ORDER-NO.	Misura Dimensions	Peso kg/1000 pezzi Weight kg/1000 pcs
41-002-0020	2 x 20 Ferro Ramato	0,50
41-002-0030	2 x 30 Ferro Ramato	0,77
41-002-0040	2 x 40 Ferro Ramato	1,04
41-002-0050	2 x 50 Ferro Ramato	1,31
41-002-0060	2 x 60 Ferro Ramato	1,59
41-002-0070	2 x 70 Ferro Ramato	1,86
41-002-0085	2 x 85 Ferro Ramato	2,25
41-002-0100	2 x 100 Ferro Ramato	2,67
41-003-0020	3 x 20 Ferro Ramato	1,04
41-003-0050	3 x 50 Ferro Ramato	2,70
41-003-0065	3 x 65 Ferro Ramato	3,50
41-003-0085	3 x 85 Ferro Ramato	4,36
41-003-0100	3 x 100 Ferro Ramato	5,47
41-003-0150	3 x 150 Ferro Ramato	8,17
42-002-0030	2 x 30 Inox	0,78
42-002-0050	2 x 50 Inox	1,32
42-002-0065	2 x 65 Inox	1,60
42-002-0085	2 x 85 Inox	2,14
42-002-00100	2 x 100 Inox	2,69
91-002-0038	Clip R2x38 Ferro Zn	4,40
91-003-0038	Clip R3x38 Ferro Zn	4,40
91-004-0038	Clip R4x38 Ferro Zn	4,40
91-005-0038	Clip R5x38 Ferro Zn	4,40
91-006-0038	Clip R6x38 Ferro Zn	4,40
92-002-0038	Clip R2x38 Inox	4,40
92-003-0038	Clip R3x38 Inox	4,40

FASTON F1 SEMPLICI / FASTON F2 DOPPI

FERRO RAMATO 4.8 - ACCIAIO INOX A2-58 - OTTONE - ALLUMINIO
 ST 37 COPPER PLATED - STAINLESS STEEL - BRASS - ALLUMINIUM

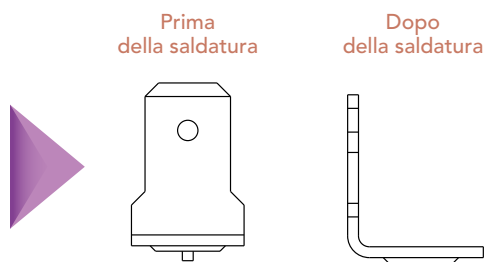
DIN EN ISO 13918 (DIN 32581)

EARTH TAGS / TWIN EARTH TAGS

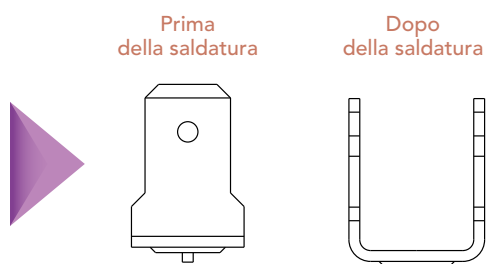


- > Misure e materiali speciali su richiesta
- > *On special request modified dimensions and materials can be supplied*

CODICE / ORDER-NO.		Misura Dimensions	Peso kg/1000 pezzi Weight kg/1000 pcs
F1 SEMPLICI	F2 DOPPI		
KFR1	KFR2	6,3 Ferro ramato	0,98
KFSS1	KFSS2	6,3 Inox	1,00
KFBR1	KFBR2	6,3 Ottone	0,98
KFSA1	KFSA2	6,3 Alluminio	0,50



FASTON F1 SEMPLICI



FASTON F2 DOPPI

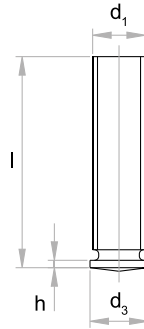
PRIGIONIERI PER ARCO CORTO FD

FERRO RAMATO 4.8 - ACCIAIO INOX (1.4301/3) / ST 37 COPPER PLATED - (A2-50) STAINLESS STEEL

DIN EN ISO 13918 (DIN 32501)

SHORT CYCLE STUDS

D1	D3	H	L
M5	6,0	0,8-1,4	8-50 MM
M6	7,0		
M8	9,0		
M10	11,0		
M12	13,0		



ESEMPIO CODIFICA ARTICOLO
EXAMPLE CODING ARTICLE

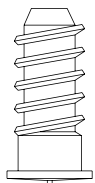
RAMATO	DKPSCRM6-15
INOX	DKPSCM6-15

PRIGIONIERI CHRISTMAS CD / SC

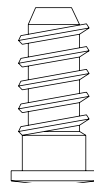
FERRO RAMATO 4.8 / ST 37 COPPER PLATED

DIN EN ISO 13918 (DIN 32501)

CHRISTMAS TREE STUDS CD



CODICE ORDER-NO.	Misura d x l Dimensions
11-005-S009	Ø 5 x 9
11-005-S014	Ø 5 x 14,2
11-005-S018	Ø 5 x 18
11-005-S025	Ø 5 x 25



CHRISTMAS TREE STUDS SC



CODICE ORDER-NO.	Misura d x l Dimensions
11-055-S009	Ø 5 x 9
11-055-S012	Ø 5 x 12
11-055-S014	Ø 5 x 14,2
11-055-S018	Ø 5 x 18
11-055-S025	Ø 5 x 25

PRIGIONIERI AUTOPULENTI

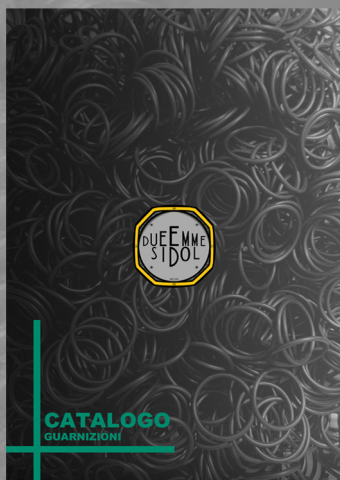
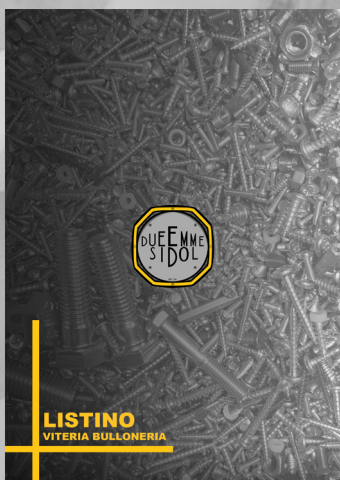
FERRO RAMATO 4.8 / ST 37 COPPER PLATED


DIN EN ISO 13918 (DIN 32501)

COLOUR GRAVE STUDS

CODICE ORDER-NO.	
KWPSRAP	M6 x 12
	M6 x 15
	M6 x 20





+39 02 2622 5159 

info@dueemmesidol.it 

DUEEMME SIDOL s.r.l
Via Giuseppe Mazzini, 33
2099 Sesto San Giovanni
Milano



WWW.DUEEMMESIDOL.IT